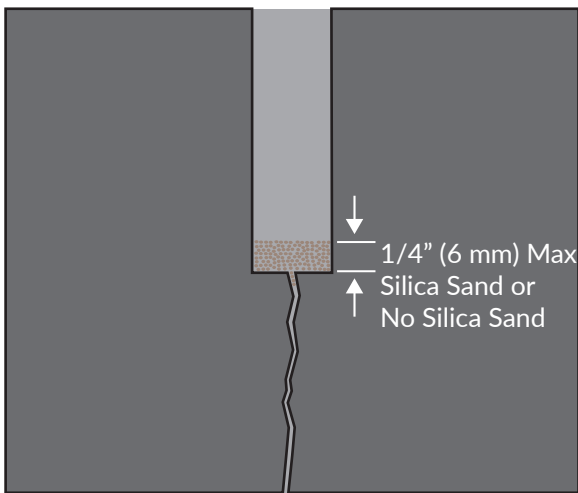


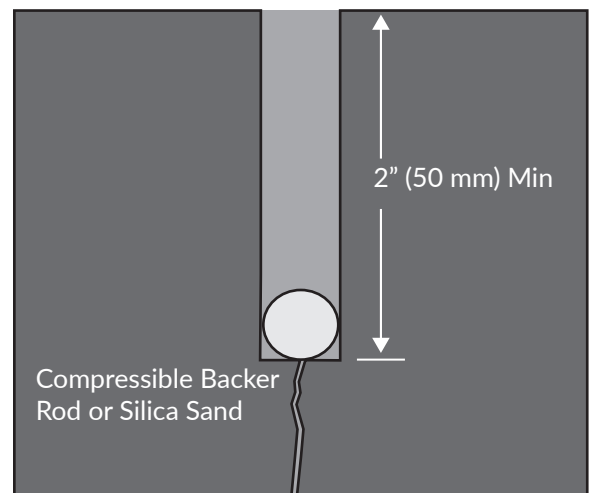
Standard Floor Joint Filling Details

The following details comply with both American Concrete Institute (ACI) and Portland Cement Association (PCA) guidelines for the installation of a semi-rigid epoxy or polyurea floor joint filler.

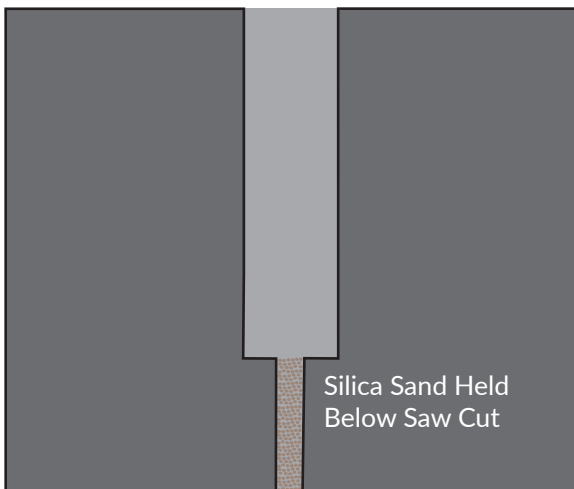
**Saw Cut Joint
< 2" (50 mm) Deep**



**Saw Cut Joint
> 2" (50 mm) Deep**



**Saw Cut
Construction Joint**



**Construction Joint
No Saw Cut**

